

Diaphragm Seal Piston Press. Switches

MSPS

Mechanical single switch

Repeatability ± 2.0 % at constant temperature

Features

Metal diaphragm pressure switch,
Set point can be adjusted with corresponding reference unit
during operation

Adjustment ranges

0.1 ... 6.8 bar

Applications

Air conditioning,
Ventilation control,
Steam ejectors



Technical Data

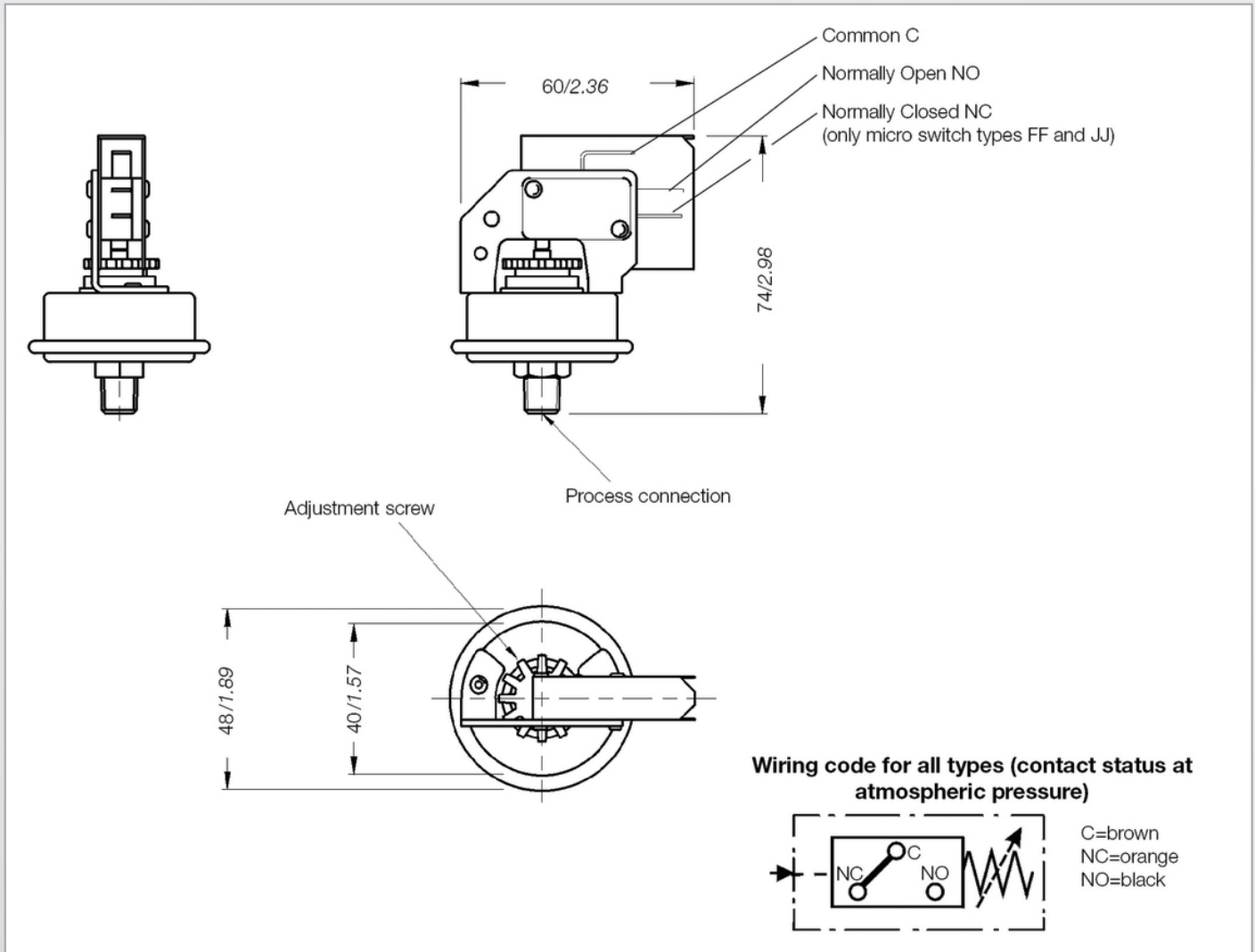
Wetted parts:	
Diaphragm	NBR
Process connection	Stainless steel 1.4401
Repeatability:	± 1 % at constant temperature
Switching rate:	max. 20/min
Temperature range:	-5 °C... +70 °C
Protection class:	IP00
Housing:	---
Process connection:	1/8" NPT male thread
Electrical connection:	Spade connector 6,3 DIN 46244
Electrical ratings and hysteresis:	Many micro switch versions with different switching powers and hysteresis are applicable and make it possible to make customized changes.

Weight:	MSPS-...: approx. 0.2 kg
Set point adjustment:	Turn the adjustment screw clockwise to increase the set point
Intrinsically safe:	The switches are designed for intrinsically safe applications. Please add "Exi" to your ordering details when placing an order. To comply with the intrinsically safe approval following max. ratings must not be exceeded: U _{max} = 28 V I _{max} = 50 mA
Approval:	---

Pressure Ranges

Pressure range code	Adjustment range [bar]		Max. operating pressure [bar]	Proof pressure [bar] (short term)	Max. hysteresis of switch types in bar (end of range)	
	Increasing press.	Decreasing press.			EE, FF [bar]	DD, JJ [bar]
5SS	0.1 ... 0.34	0.04 ... 0.305	4.6	6.9	0.035	0.040
15SS	0.2 ... 1.00	0.10 ... 0.900	4.6	6.9	0.055	0.068
100SS	1.2 ... 6.80	0.70 ... 6.300	6.8	10.0	0.540	0.620

Dimensions (mm / inch)



Electrical Ratings

Micro switch	Special features	Volt AC 50/60 Hz	Ind. load A	Res. load A	Volt DC	Ind. load A	Res. load A	Comments
EE, FF	Micro switch with silver contacts	125 250	3	3	---	---	---	Medium hysteresis; High AC voltage
DD, JJ	Micro switch with silver contacts	125 250	15	15	125 250	0.50 0.25	0.50 0.25	Medium hysteresis; High AC voltage

Order Code

Example for order number

Type		Micro switch		Pressure range code
MSPS	-	FF	-	15SS

Your order number

Type		Micro switch		Pressure range code
	-		-	